



Digital Temp. Sensor

High-accuracy, -reliability, Calibration support
For data collection of recorders, etc. for which evidence is required

Features

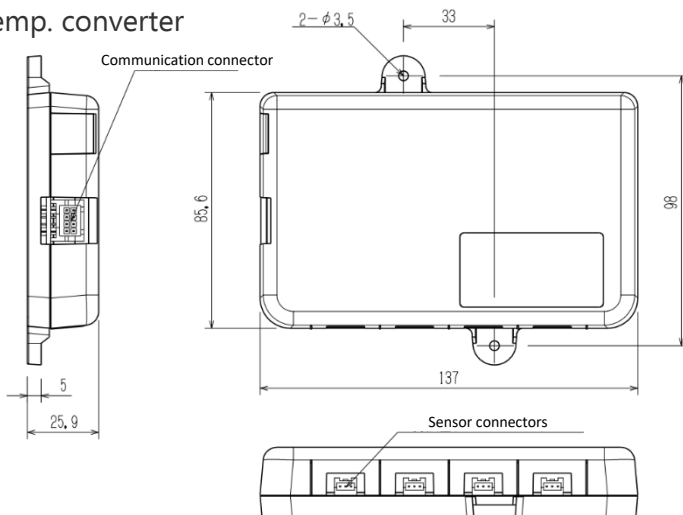
- The temperature detection probe uses our own temperature detection element
- Calibration is available together with temperature transducers
 - ➔Temperature detection probe can be customized (housing, cable material, etc.)
 - ➔Quality assurance and traceability of the entire system of detectors and converter

Application

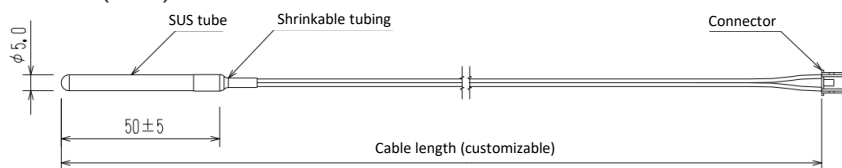
- Recorders that require evidence
(Digital tachographs, semiconductor, pharmaceutical manufacturing process)

Appearance

- Temp. converter

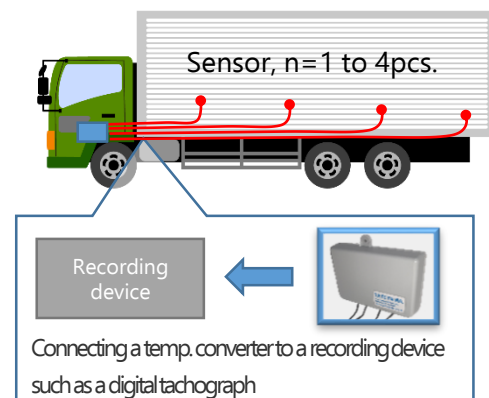


- Probe (*ref.)



Use case

- Temp. history record in cargo



The calibrated temp. information will be sent to the customer's recording device.

※In case of periodic calibration

Part number

T D A ① - ②③④ - ⑤⑥⑦

①Communication specification

1 : USB, 2 : RS232C, 3 : RS485, 4 : Bluetooth

②Shape A : frame (upper appearance) X : customize

③Power 5 : USB bus power(①: at 1), 9 : 9~30V

④Measured temp. range A : -40~85°C

X : For customize, please contact us

⑤Comm. Cable

A : 2m USB-A (①: at selecting 1)

B : 2m Dsub9 pin (①: at 3 9pin 5V power)

C : 2m Dsub9 pin+ cut end power line(①: at 2,3)

D : 2m cut end wires (communication, power) (①: at 3)

E : 2m trimming source line (①: at 4)

X : customize

⑥Temp. sensor typ. A : Standard probe X : customize

⑦Firmware 0 : standard X : customize

Specification

Number of detection channels	MAX. 4 channels
Temp. sensor type	NTC thermistor (TATEYAMA ORIGINAL)
Probe measurement range	-40~85°C
Accuracy / resolution	less than 1.0°C / 0.01°C
Operating temp. & humidity *for converter	-20~60°C / 0~95%RH ※No condensation
Power consumption	Less than 50mA

TATEYAMA

30 Shimomnaban, Toyama-shi, Toyama 930-1305, Japan

URL <https://www.tateyama.jp/>

TEL: 076-483-4132 E-mail: sales-division@tateyama.or.jp

TATEYAMA KAGAKU CO., LTD.

CAUTION

All specifications are subject to change without prior notice.